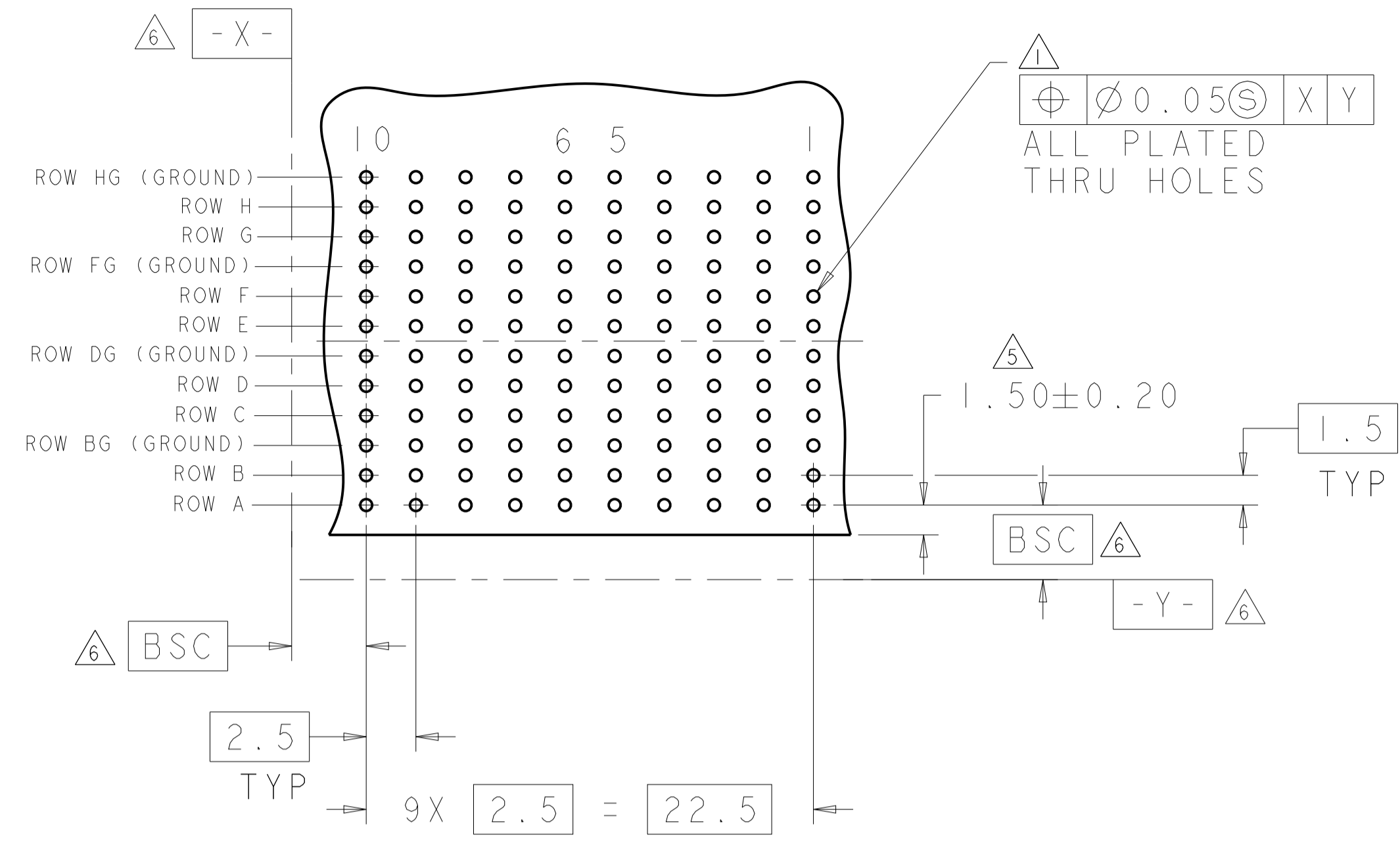
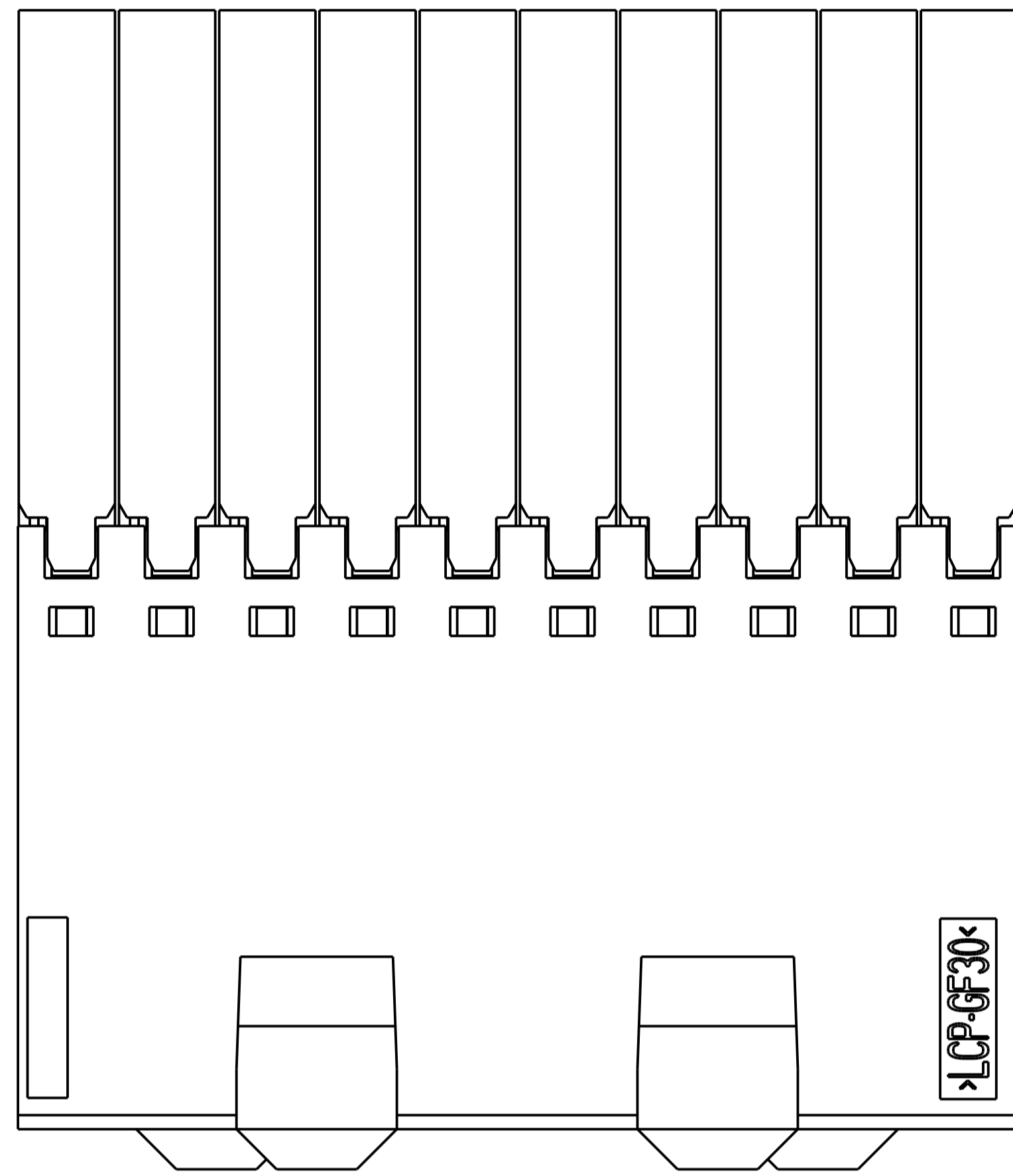
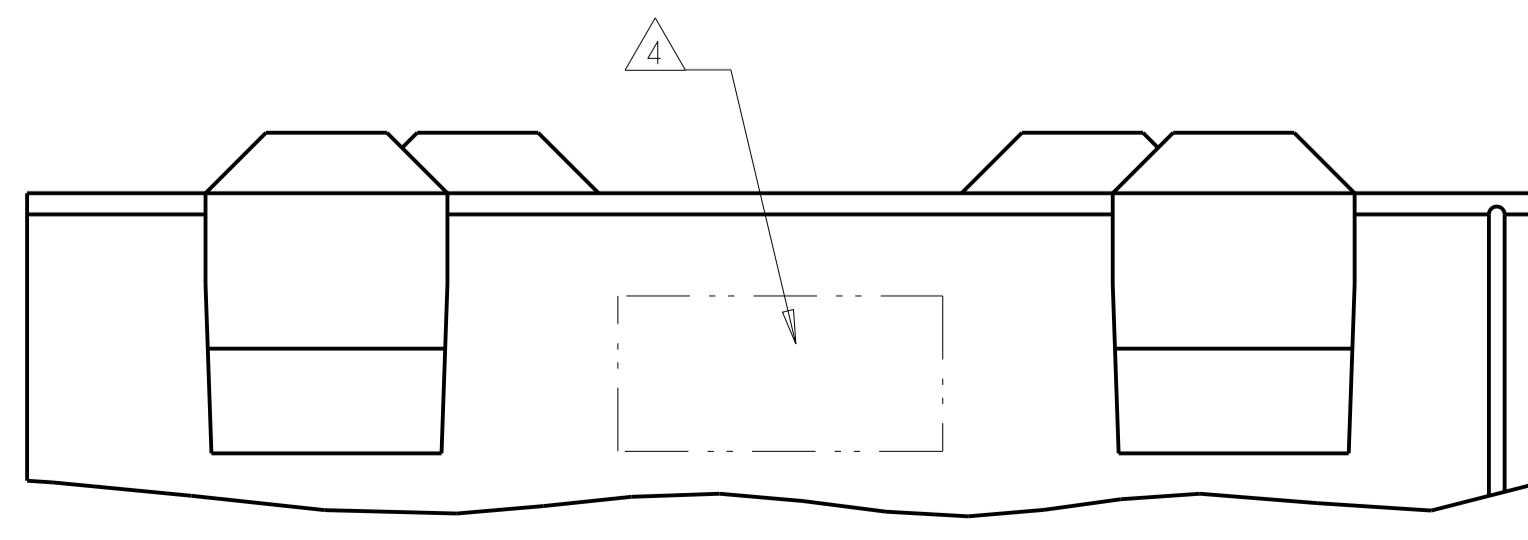
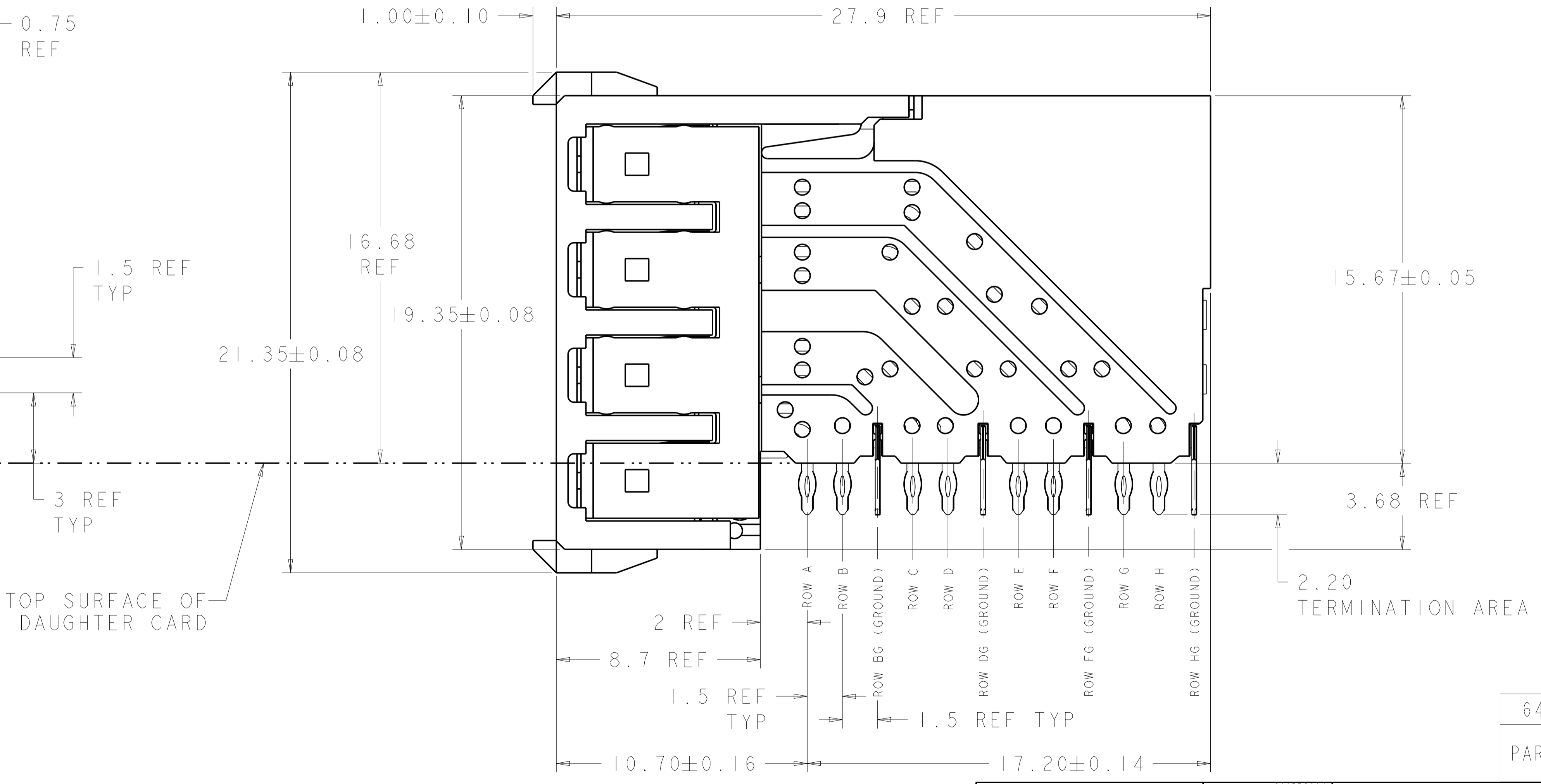
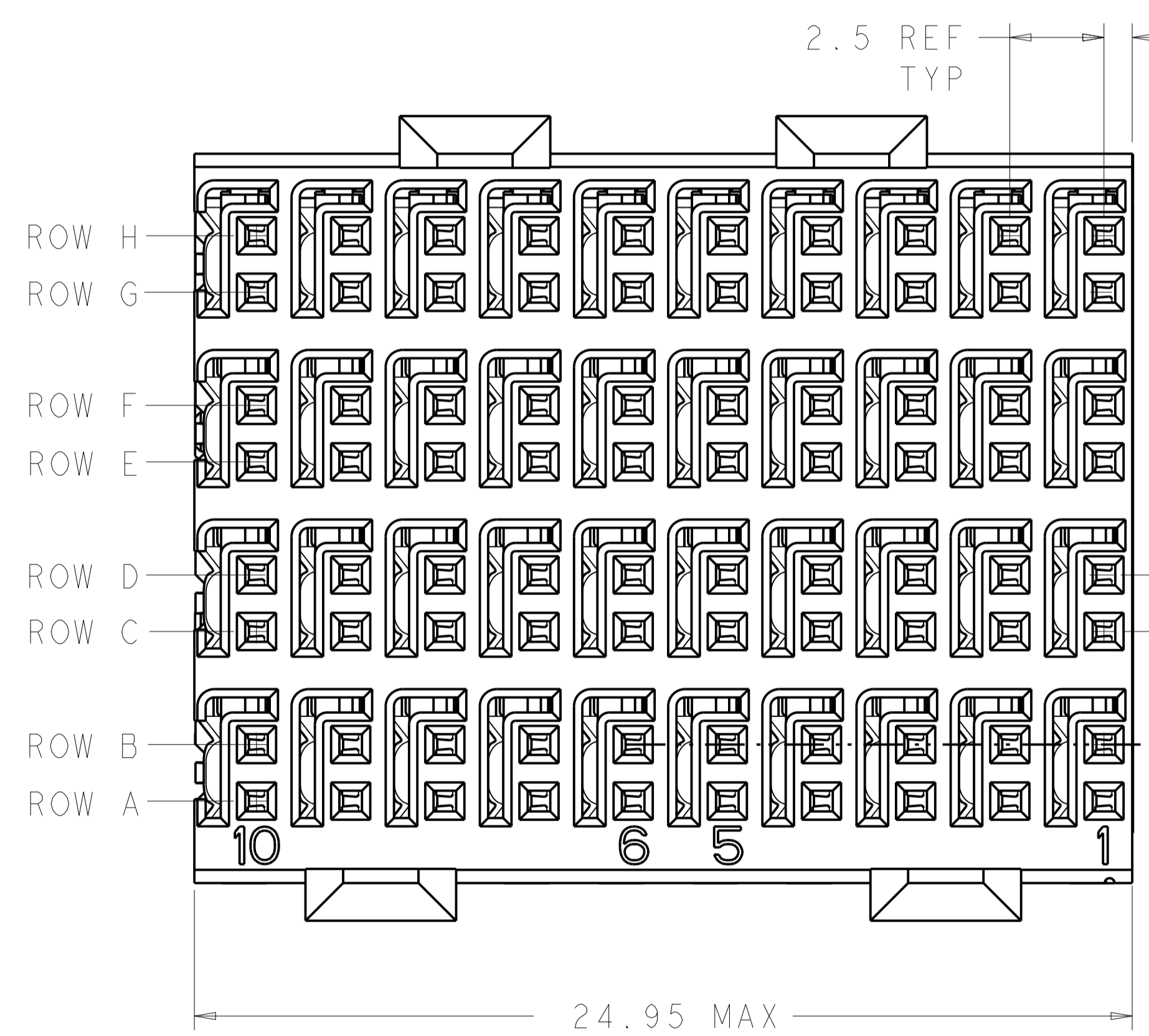


REVISIONS				
P.	LTN.	DESCRIPTION	DATE	APVD.
D		REVISED PER ECO-14-005095	16APR2014	AP RP



- 1. REFERENCE APPLICATION SPEC 114-13059 FOR RECOMMENDED PLATED THRU HOLE DIAMETER AND PLATING THICKNESSES.
- 2. MATERIAL:
 SHIELD - PHOSPHOR BRONZE
 CONTACT - COPPER-NICKEL-SILICON
 HOUSING, CHICKLET AND CHICKLET COVER - GLASS FILLED POLYESTER, UL 94V-0 RATED.
- 3. FINISH: SIGNAL AND GROUND CONTACTS:
 MATING AREA: MEETS THE PERFORMANCE REQUIREMENTS OF PRODUCT SPECIFICATION 108-2055; BASED ON TELCORDIA GR-1217-CORE, APPLICATIONS IN UNCONTROLLED ENVIRONMENTS
 COMPLIANT PIN AREA: 0.5µm MIN MATTE TIN OVER BASE PLATING
- 4. CONNECTOR MARKED WITH PART NUMBER AND DATE CODE IN APPROXIMATE AREA SHOWN
- 5. DIMENSION APPLIES TO CENTERLINE OF THRU HOLE.
- 6. DATUMS AND BASIC DIMENSIONS ESTABLISHED BY CUSTOMER.
- 7. CONTACT AREA LUBRICATED WITH BELLCORE APPROVED LUBRICANT. TECHNICAL REFERENCE: GR-1217-CORE, ISSUE 1, NOVEMBER 1995.



6469001-1
 PART NUMBER

THIS DRAWING IS A CONTROLLED DOCUMENT.		OWN: S. J. MAGARO 26APR2004	CHK: R. A. PATTERSON 26APR2004	APVD: R. A. PATTERSON 26APR2004
DIMENSIONS:	TOLERANCES UNLESS OTHERWISE SPECIFIED:	NAME: RECEPTACLE ASSEMBLY, 4 PAIR, HMZd		
mm	0 PLC #	PRODUCT SPEC:		
	1 PLC #	APPLICATION SPEC:		
	2 PLC #	SIZE: A100779		
	3 PLC #	CAGE CODE: C=6469001		
	4 PLC #	SCALE: 8:1		
	ANGLES	SHEET 1 OF 1		
MATERIAL:	FINISH:	REV D		
		CUSTOMER DRAWING		